



IFSC Speed World Record Check

a. Introduction

With the present document, the International Federation of Sport Climbing clarifies the Speed World Record Check procedures. This document should be always read in conjunction with IFSC Rules of the relevant year, displayed [here](#). The Speed World Record check is one of the mandatory conditions to obtain validation of the Speed World Record, as described in IFSC Rules. However, it is not sufficient. All the other mandatory requirements are specified within the IFSC rules.

b. Record Events

The following events are designed by the IFSC as IFSC Speed World Record Event ("Record Event"). It should be noted that this a mandatory for not sufficient condition to run a Speed World Record. All other requirements and conditions are specified within IFSC rules and on the following chapters.

- Olympic Games
- Multi-Sport Games (World Games, Regional Games, others)
- IFSC World Championships
- IFSC World Cups
- IFSC Continental Championships
- IFSC Youth World Championships
- IFSC World Olympic Qualification Events
- FISU World Events

c. Procedure

The IFSC Delegate for the IFSC competition is the responsible authority to check the following items. If one of the items do not respect the requirements described below, the Speed World Record Check is failed.

1) Period of visit

The Speed World Record Check has to be completed by the IFSC delegate before the technical meeting.

2) Speed Wall Manufacturer

The speed wall shall be manufactured by one of the IFSC recognised companies. The list of manufacturers can be found on the IFSC website. Procedures defining how to become IFSC Recognised Speed Wall manufacturer are available on IFSC website.

3) Speed climbing wall

The IFSC Technical Delegate will proceed with the following checks. Please note that all dimensions below are in millimetres (mm) and the names of points (sn10A10, dx10F10, etc.) refers to Appendix I - IFSC Official Speed Route Map.

- Distance between the starting hold (axis of the screw of the lowest starting hand hold) to the ground (no starting pad).

Tolerance +/- 10mm = 1 887,5 mm

- 3 set of tests along the height of the wall. The test needs to be run between panels 1-2, 5-6, 9-10. Each test is run vertically and horizontally composed by:

- i. Inter holes distance. Distance should be 125 mm with a tolerance of 1 mm
- ii. Inter panel distance and alignment. Distance should be 375 mm with a tolerance of 2 mm



iii. Inclination of the panes.

The climbing walls must overhang regularly 5°

Average wall inclination tolerances are -0.5°/+1.5°

Inclination tolerances between any two points are -0.5°/+0.5°

- Top protection point (for each track): the top protection points are installed on the metallic structure located between 500mm and 1000mm up to 0,50m top panel and between 500mm and 1000mm backward.
- The top protection point (for each track) should be located at the central axis of the route, with a tolerance of +/- 50mm

d. IFSC Recognised Speed Holds

The IFSC Technical Delegate will verify that the holds are the IFSC Recognised Speed Holds.

The IFSC Technical Delegate will verify that the position of the holds is correct, and it respects the IFSC Official Speed Route Map. The IFSC Technical Delegate will also verify the status and the conditions of the climbing holds. The IFSC Technical Delegate has the authority to declare that the speed holds do not respect the requirements to guarantee a fair competition. In such case, the Speed World Record Check is failed.

e. IFSC Recognised Auto-Belay

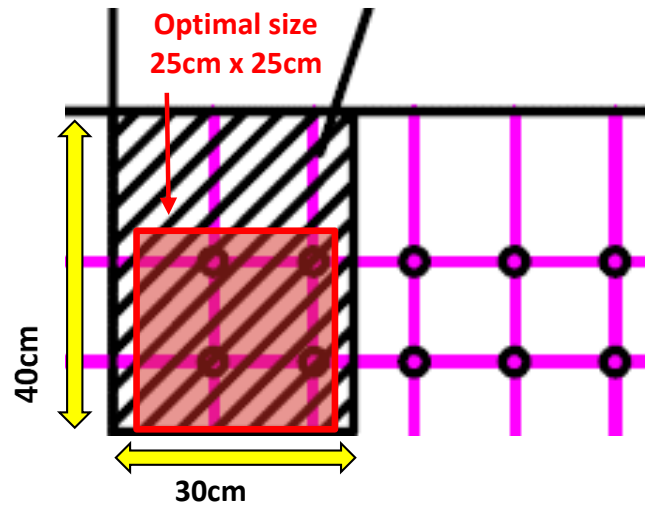
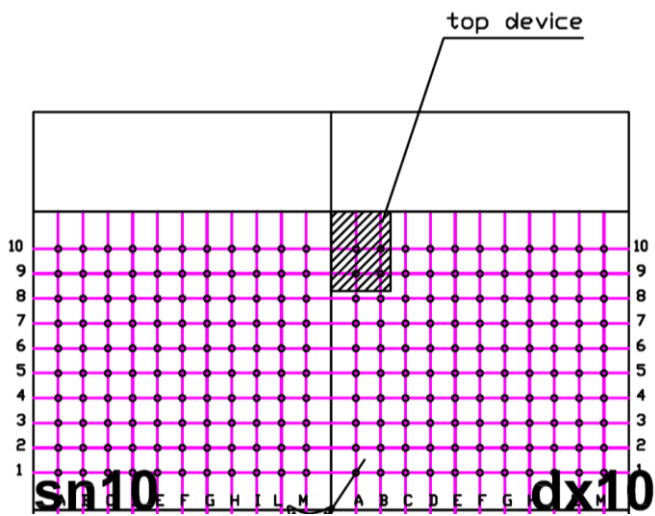
The IFSC Technical Delegate will verify that the auto-belay is IFSC Recognised Auto-belay. The IFSC Technical Delegate will run the following tests:

- Check that auto-belay corresponds to the product recognised by IFSC and the services due is not expired
- Check that the position of the top protection point (where auto-belay is attached) is correct. Refer to paragraph 3 of the present document
- When possible, verify that once release, the two ropes proceed to the top belaying point with the same speed

f. IFSC Recognised Speed Automatic Timing System

The IFSC Technical Delegate will verify that the timing system is one of the IFSC Recognised Speed Automatic Timing Systems. The IFSC Technical Delegate is responsible to run a series of basic test, as following:

- Check that the timers start correctly
- Check the correct display of different lights (red FS, white, green)
- Check that LED finishing screens display the climbing time
- Check that sound system is working correctly
- Check the position of finishing pads according to IFSC Speed route design
- Check that starting pad is not moving



Maximum allowed size 40cm x 30cm (black box) & Optimal size 25cm x 25cm (red box)

The sensitive part of the pad must be the reference of the pad installation. The bottom of the sensitive area (25 x 25 cm) of the finishing pad has to be located at 40cm below the horizontal axis of the last panel with t-nuts.

The measures between the bottom of the finishing pad and the ground should be mm 14800 (+/- 20 mm)

Appendix II – IFSC Official Speed Route Map

